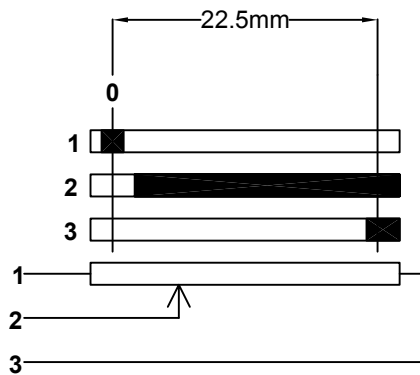


POTENTIOMETER PUSH BUTTON

POTENTIOMETER PUSH BUTTONS ARE USED FOR LINEAR CONTROL OF SOLID STATE CONTROLLED DRIVES. THE STROKE OF 26 mm IS CONVERTED INTO A ROTATING MOTION OF 255° TO BE ABLE TO USE THE COMPLETE RANGE OF THE POTENTIOMETER. A HIGH QUALITY POTENTIOMETER (T 237) WITH UP TO 2 MILLION OPERATIONS CAN BE SUPPLIED, BUT ANY POTENTIOMETER WITH A 6mm SHAFT AND 10mm MOUNTING CAN BE USED. 3 ADDITIONAL MICRO SWITCHES ARE ATTACHED AND CAN BE PROGRAMMED FOR CONTROL OR INTERLOCKING. THE POTENTIOMETER PUSH BUTTON HAS A SPRING RETURN AND HAS AN ACTUATING FORCE OF 4 ½ LBS.

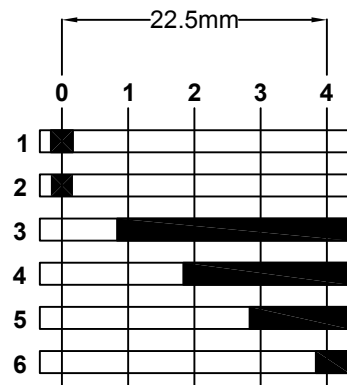
4 STEP PUSH BUTTON

THE MULTI-STEP PUSH BUTTONS ARE ALSO AVAILABLE IN 2 OR 3 STEPS. THEY HAVE ALL THE SAME SPECIFICATIONS AS THE POTENTIOMETER PUSH BUTTON. THEY HAVE SIX CONTACTS WHICH ARE RATED AT 8A 250V. THE MECHANISM IS EQUIPPED WITH A RATCHET FOR A MORE POSITIVE STEPPING ACTION. PROGRAMMING CAN BE DONE TO CUSTOMERS SPECIFICATIONS. FIELD CHANGES ARE ALSO POSSIBLE.



PT1 ORDERING EXAMPLE

FORM _____ PT1 - 3 - 1.0
 TYPE _____
 CONTACTS _____
 RESISTANCE IN K OHMS _____



ST1 ORDERING EXAMPLE

FORM _____ ST1 - 6 - 4
 TYPE _____
 CONTACTS _____
 STEPS _____