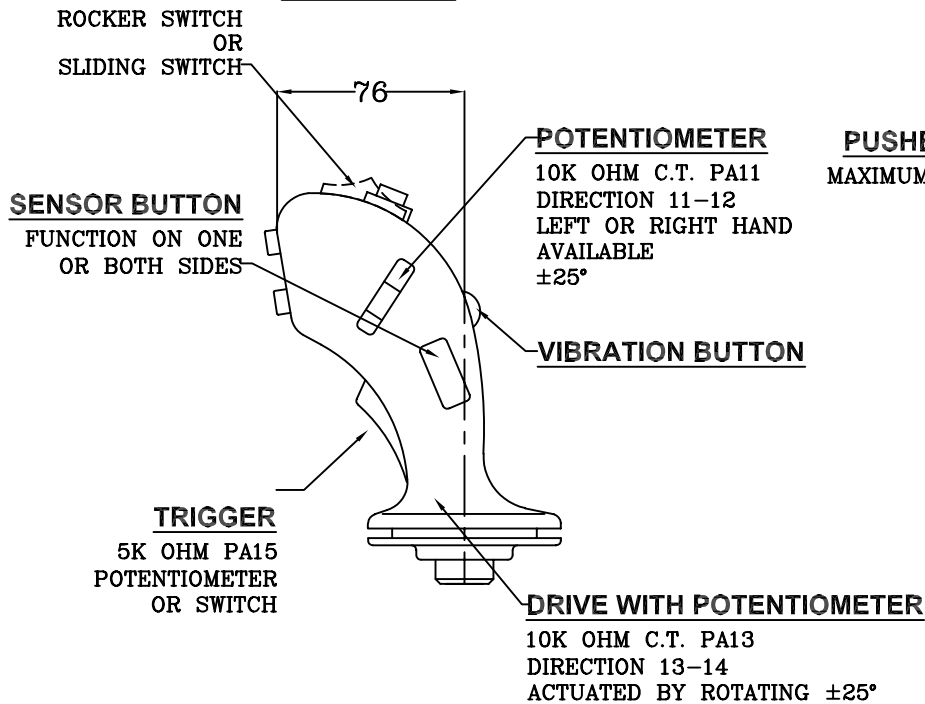
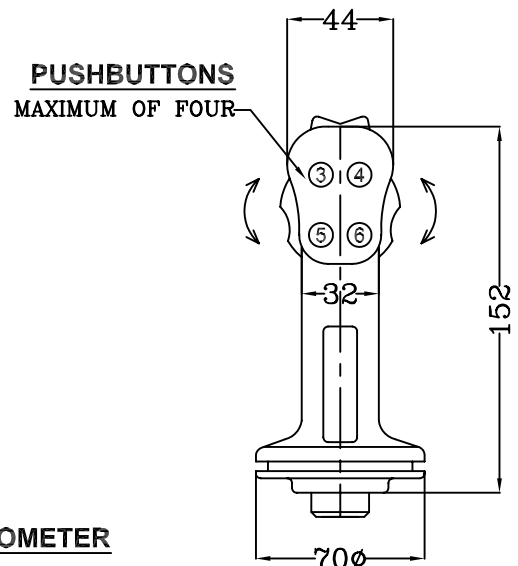


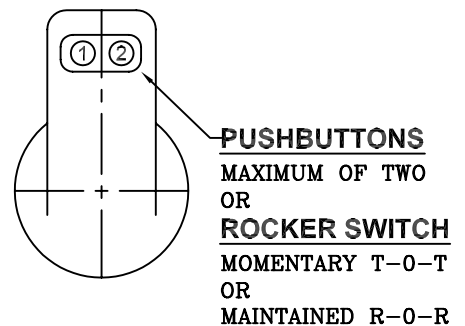
SIDE VIEW



FRONT VIEW



TOP VIEW



CONTACT RATINGS AND SPECIFICATIONS

CONTACT RATINGS: 0.5A 110V AC15 RES. 1.5A 24V DC13

PUSHBUTTONS: SPST N.O.

ROCKER SWITCH: SPST N.O. MAINTAINED OR MOMENTARY

DEGREE OF PROTECTION FRONT IP65

IMPORTANT: PLEASE NOTE

ROCKER SWITCH CAN ONLY BE COMBINED WITH FRONT MOUNTED PUSHBUTTONS 5 AND 6

SIDE MOUNTED POTENTIOMETER CAN ONLY BE COMBINED WITH FRONT MOUNTED PUSHBUTTONS 5 AND 6

SIDE MOUNTED POTENTIOMETER CANNOT BE COMBINED WITH TRIGGER SWITCH POTENTIOMETER

SLIDING SWITCH CANNOT BE COMBINED WITH PUSHBUTTONS 1,2,4 AND 6

POTENTIOMETER PA12 INSTALLED IN POS. 11 AND 12 CANNOT BE COMBINED WITH SIDE POTENTIOMETER PA11

PUSHBUTTONS WITH 2 STEPS INSTALLED IN POS. 11 AND 12 CANNOT BE COMBINED WITH POTENTIOMETERS PA11 AND PA12.

TOP VIEW

