



CUSTOMER: _____ **DATE:** _____

CONTACT: _____ **PHONE:** _____ **FAX:** _____

1) APPLICATION

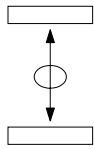
- INDOOR OUTDOOR MARINE ENVIRONMENT MOBILE EQUIPMENT OVERHEAD CRANE/HOISTING CRANE CHAIR
- PORTABLE EQUIPMENT FOOT PEDAL OTHER _____

2) CONTROLLER SIZE & DURABILITY

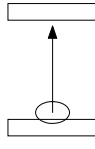
- MINIATURE: V10 H100 H7 V14 V20 S14 MEDIUM: V11 V8 D8
- SMALL: V5 VV5 S2 S21 S22 S23 S24 N6 LARGE: V3 V6 VV6 D64 DD64 K2

3) CONTROLLER FUNCTIONS

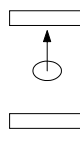
SINGLE AXIS (PICK 1 OF 3 ITEMS BELOW)



STANDARD BI-DIRECTIONAL

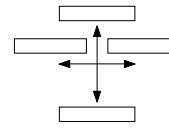


FULL TRAVEL UNI-DIRECTIONAL

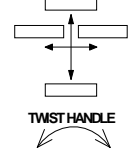


CENTER TO END UNI-DIRECTIONAL

DUAL AXIS



MULTI AXIS



4) SWITCH SPECIFICATIONS

LEFT HAND MOUNTING

- VOLTAGE _____ AC/DC CURRENT _____ AMPS.
 DIRECTION 1&2 DIRECTION 3&4
 NUMBER OF CONTACTS _____ NUMBER OF CONTACTS _____
 STEPLESS OR STEPS _____ STEPLESS OR STEPS _____
- SPRING RETURN SPRING RETURN
 - FRICTION BRAKE FRICTION BRAKE
 - POTENTIOMETER _____ POTENTIOMETER _____
 - ELECTRONICS ELECTRONICS

RIGHT HAND MOUNTING

- VOLTAGE _____ AC/DC CURRENT _____ AMPS.
 DIRECTION 5&6 DIRECTION 7&8
 NUMBER OF CONTACTS _____ NUMBER OF CONTACTS _____
 STEPLESS OR STEPS _____ STEPLESS OR STEPS _____
- SPRING RETURN SPRING RETURN
 - FRICTION BRAKE FRICTION BRAKE
 - POTENTIOMETER _____ POTENTIOMETER _____
 - ELECTRONICS ELECTRONICS

5) ELECTRONICS

A) VALVE SPECIFICATIONS

VALVE MANUFACTURE _____ MODEL NUMBER _____

SUPPLY VOLTS: _____ VDC COIL RESISTANCE: _____ OHMS THRESHOLD: _____ mA MAX. OUTPUT _____ mA

SINGLE COIL DUAL COIL FLOW CONTROL SWITCHES FOR DIRECTIONAL VALVES PWM FREQUENCY: _____ Hz

B) SIGNAL OUTPUTS

SUPPLY VOLTS: _____ VDC 4-20mA 0-20mA 0-10V -10V to +10V OTHER _____

C) OPTIONS FOR BOTH

SINGLE MAX. (A ADJ.) DUAL MAX. (A & B ADJ.) DUAL RANGE _____ mA RAMP TIME _____ SEC.

6) HANDLE TYPE

- STANDARD KNOB MECHANICAL INTERLOCK PUSHBUTTON DEADMAN PUSH DEADMAN PULL DEADMAN
- PALM HANDLE _____

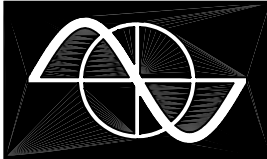
7) NAMEPLATE SPECIFICATIONS

STANDARD NAMEPLATE _____ SPECIAL NAMEPLATE (ATTACH LAYOUT DRAWING OR SPECIFICATIONS)

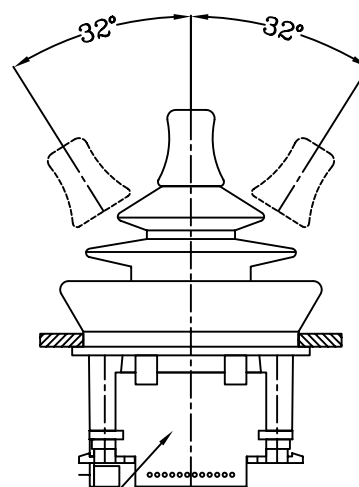
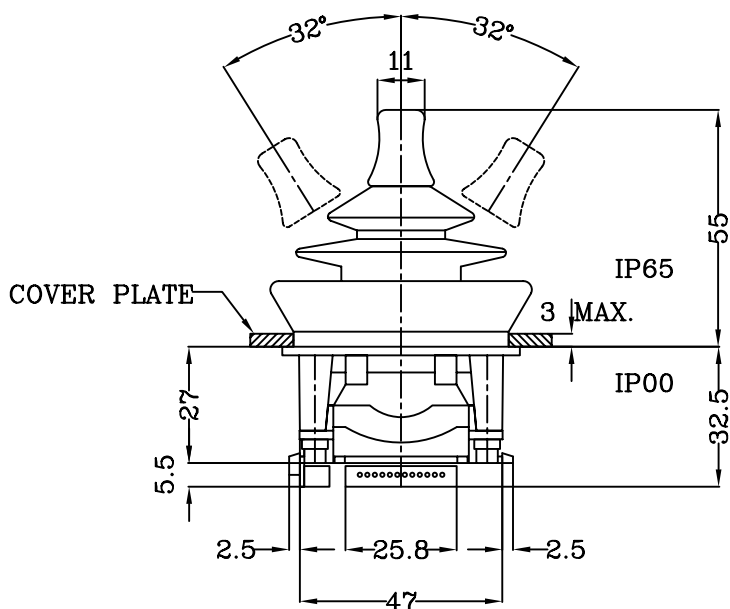
8) ENCLOSURE

- GENERAL PURPOSE WEATHERPROOF CORROSIVE RESISTANT (PLASTIC) PORTABLE CONSOLES
- ENCLOSURE DIMENSIONS L= _____ W= _____ H= _____ TS1 TS2

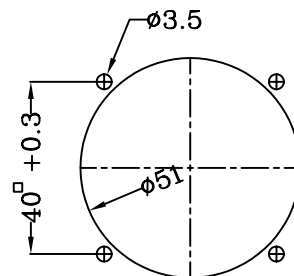
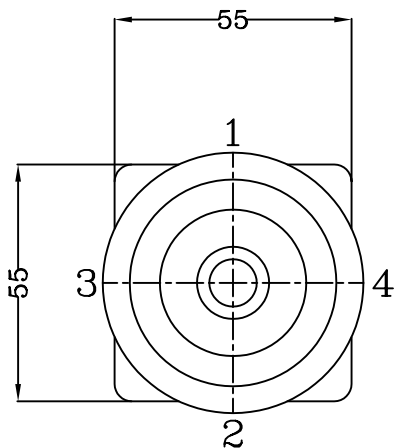
9) NOTES



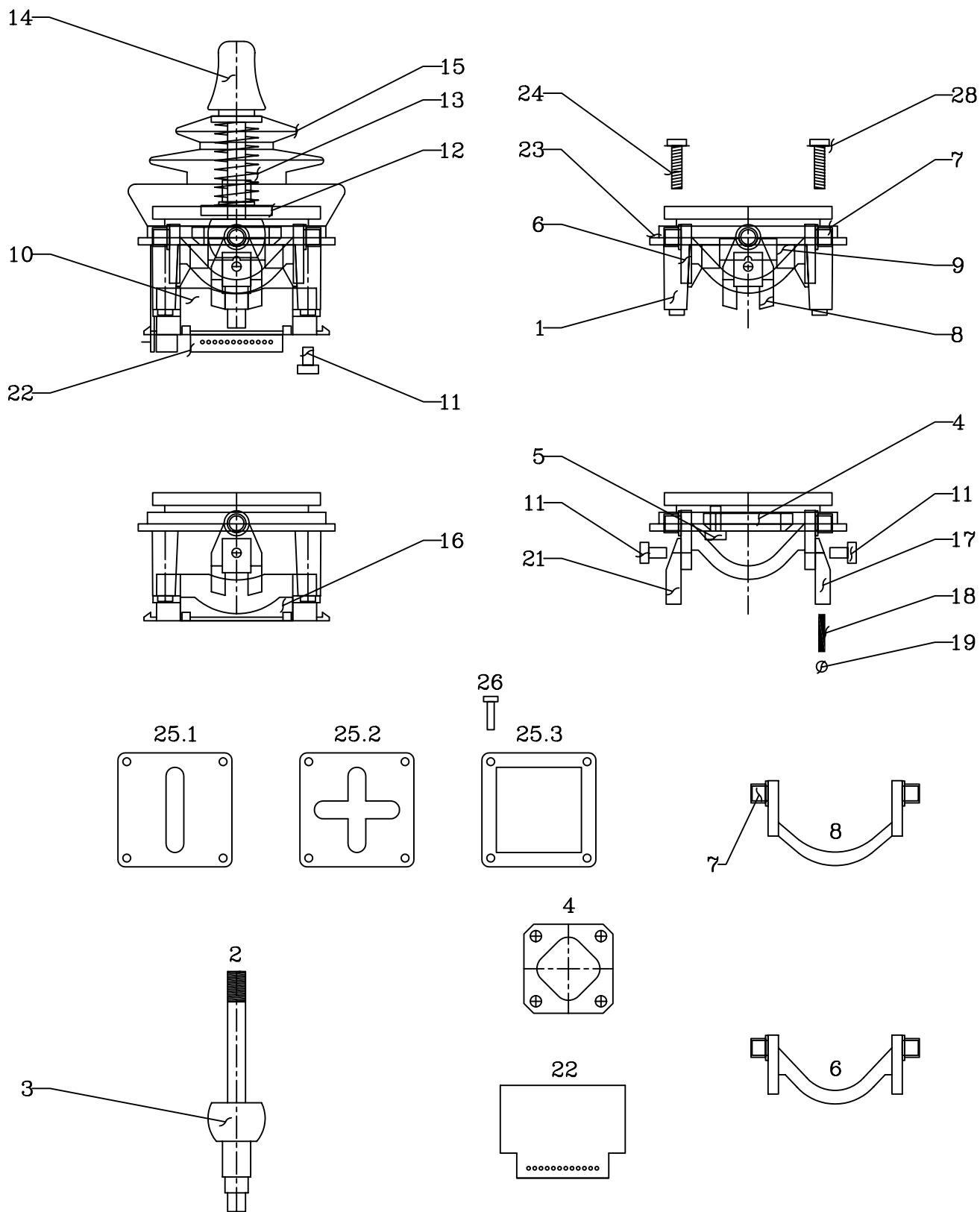
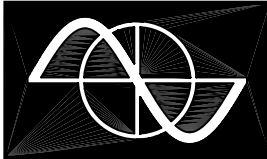
THE V20 IS A MINIATURE, LIGHT DUTY MASTER SWITCH DESIGNED FOR RADIO AND PORTABLE CONTROLS. IT IS SMALL, LIGHTWEIGHT AND SOLID IN DESIGN. IT IS BUILT FOR 3 MILLION OPERATIONS. IT IS OIL, OZONE, UV AND SALT ATMOSPHERE (OCEAN CONDITION) RESISTANT. DEGREE OF PROTECTION FRONT: IP65

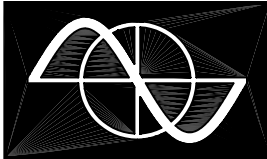


PRINTED CIRCUIT BOARD
WITH SOLDER OR PLUG
TERMINALS.



PANEL CUT OUT





<u>PART#</u>	<u>DESCRIPTION</u>
1	CASTING
2	STANDARD SHAFT ASSEMBLY WITH BEARING
3	BEARING
4	BEARING CONTAINER
5	DUO TOP-TITE SCREW M3x7
6	1st MOTION BRACKET DIRECTION 1-2
7	PLASTIC BUSHING
8	2nd MOTION BRACKET DIRECTION 3-4
9	1st & 2nd MOTION BRACKET HOLDER
10	SWITCHING GATE HOUSING
11	DUO TOP-TITE SCREW M3x5
12	PLASTIC BUSHING FOR RETURN SPRING
13	RETURN SPRING
14	KNOB
15	RUBBER BOOT
16	4 STEP RATCHET
17	RATCHET ARM
18	RATCHET ARM SPRING
19	RATCHET BALL
21	WIPER
22.1	ENCODER MEC 2-1 c/w MALE CONNECTOR & 0.5m OF WIRE
22.2	ENCODER MEC 2-2 c/w MALE CONNECTOR & 0.5m OF WIRE
23	RUBBER GASKET
24	CHEESE HEAD SCREW M3x12
25.1	SWITCHING GATES #1 SEE PAGE 1.13.3
25.2	SWITCHING GATES #2 SEE PAGE 1.13.2
25.3	SWITCHING GATES #3 SEE PAGE 1.13.2
26	EJOT-PT SCREW
28	M3 FLAT WASHER NYLON