



CUSTOMER: _____ **DATE:** _____

CONTACT: _____ **PHONE:** _____ **FAX:** _____

1) APPLICATION

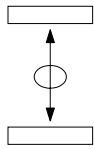
- INDOOR OUTDOOR MARINE ENVIRONMENT MOBILE EQUIPMENT OVERHEAD CRANE/HOISTING CRANE CHAIR
- PORTABLE EQUIPMENT FOOT PEDAL OTHER _____

2) CONTROLLER SIZE & DURABILITY

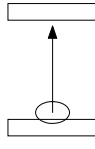
- MINIATURE: V10 H100 H7 V14 V20 S14 MEDIUM: V11 V8 D8
- SMALL: V5 VV5 S2 S21 S22 S23 S24 N6 LARGE: V3 V6 VV6 D64 DD64 K2

3) CONTROLLER FUNCTIONS

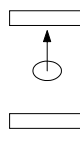
SINGLE AXIS (PICK 1 OF 3 ITEMS BELOW)



STANDARD BI-DIRECTIONAL

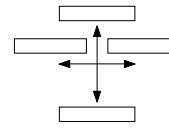


FULL TRAVEL UNI-DIRECTIONAL

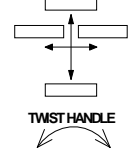


CENTER TO END UNI-DIRECTIONAL

DUAL AXIS



MULTI AXIS



TWIST HANDLE

4) SWITCH SPECIFICATIONS

LEFT HAND MOUNTING

- | | |
|--|--|
| VOLTAGE _____ AC/DC | CURRENT _____ AMPS. |
| DIRECTION 1&2 | DIRECTION 3&4 |
| NUMBER OF CONTACTS _____ | NUMBER OF CONTACTS _____ |
| STEPLESS OR STEPS _____ | STEPLESS OR STEPS _____ |
| <input type="checkbox"/> SPRING RETURN | <input type="checkbox"/> SPRING RETURN |
| <input type="checkbox"/> FRICTION BRAKE | <input type="checkbox"/> FRICTION BRAKE |
| <input type="checkbox"/> POTENTIOMETER _____ | <input type="checkbox"/> POTENTIOMETER _____ |
| <input type="checkbox"/> ELECTRONICS | <input type="checkbox"/> ELECTRONICS |

RIGHT HAND MOUNTING

- | | |
|--|--|
| VOLTAGE _____ AC/DC | CURRENT _____ AMPS. |
| DIRECTION 5&6 | DIRECTION 7&8 |
| NUMBER OF CONTACTS _____ | NUMBER OF CONTACTS _____ |
| STEPLESS OR STEPS _____ | STEPLESS OR STEPS _____ |
| <input type="checkbox"/> SPRING RETURN | <input type="checkbox"/> SPRING RETURN |
| <input type="checkbox"/> FRICTION BRAKE | <input type="checkbox"/> FRICTION BRAKE |
| <input type="checkbox"/> POTENTIOMETER _____ | <input type="checkbox"/> POTENTIOMETER _____ |
| <input type="checkbox"/> ELECTRONICS | <input type="checkbox"/> ELECTRONICS |

5) ELECTRONICS

A) VALVE SPECIFICATIONS

VALVE MANUFACTURE _____ MODEL NUMBER _____

SUPPLY VOLTS: _____ VDC COIL RESISTANCE: _____ OHMS THRESHOLD: _____ mA MAX. OUTPUT _____ mA

- SINGLE COIL DUAL COIL FLOW CONTROL SWITCHES FOR DIRECTIONAL VALVES PWM FREQUENCY: _____ Hz

B) SIGNAL OUTPUTS

SUPPLY VOLTS: _____ VDC 4-20mA 0-20mA 0-10V -10V to +10V OTHER _____

C) OPTIONS FOR BOTH

- SINGLE MAX. (A ADJ.) DUAL MAX. (A & B ADJ.) DUAL RANGE _____ mA RAMP TIME _____ SEC.

6) HANDLE TYPE

- STANDARD KNOB MECHANICAL INTERLOCK PUSHBUTTON DEADMAN PUSH DEADMAN PULL DEADMAN
- PALM HANDLE _____

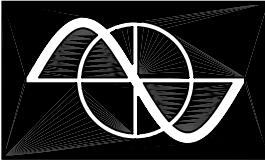
7) NAMEPLATE SPECIFICATIONS

- STANDARD NAMEPLATE _____ SPECIAL NAMEPLATE (ATTACH LAYOUT DRAWING OR SPECIFICATIONS)

8) ENCLOSURE

- GENERAL PURPOSE WEATHERPROOF CORROSIVE RESISTANT (PLASTIC) PORTABLE CONSOLES
- ENCLOSURE DIMENSIONS L= _____ W= _____ H= _____ TS1 TS2

9) NOTES



THE FOOT PEDAL CAN BE SUPPLIED AS A STEPLESS SETPOINT DEVICE WITH POTENTIOMETER AND 3 CONTROL CONTACTS.

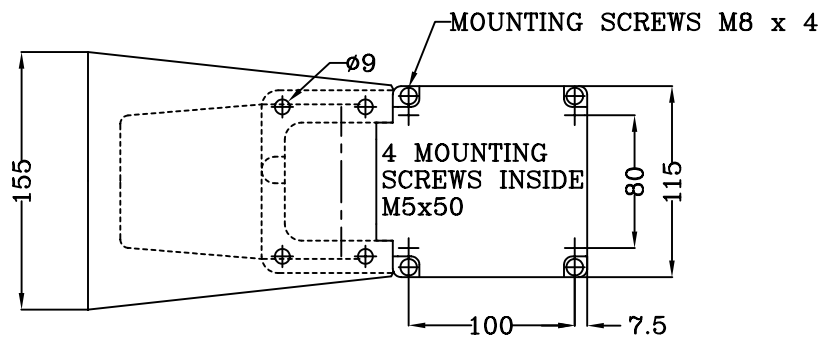
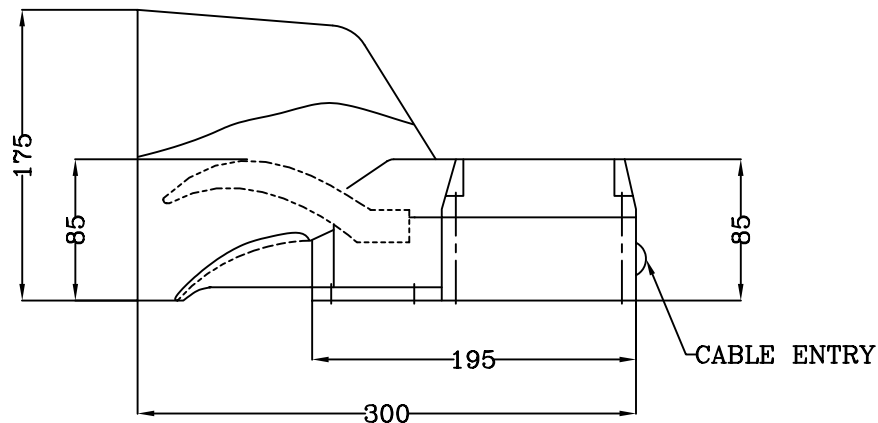
INSTEAD OF THE POTENTIOMETER, 3 MORE CONTROL CONTACTS CAN BE ADDED TO PROVIDE 6 CONTACTS FOR A 0-4 STEP 2-0-2 CONTROL WITH DETENT.

THE P8 IS BUILT FOR 6 MILLION OPERATIONS, AND THE PP8 IS BUILT FOR 10 MILLION OPERATIONS.

THE RUGGED MECHANICAL CONSTRUCTION MAKES THE FOOT PEDAL SUITABLE FOR EXTREME INDUSTRIAL APPLICATIONS.

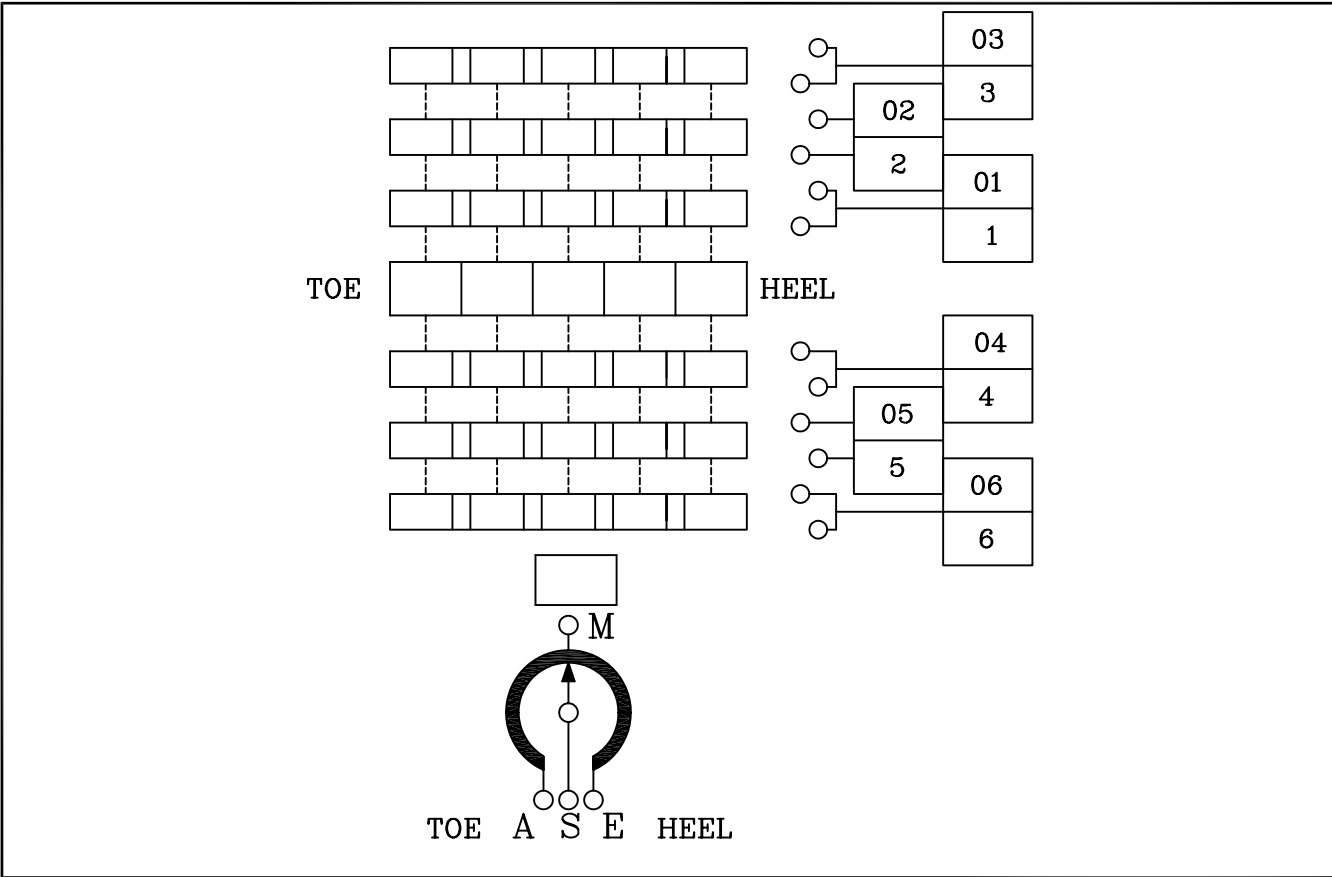
CONTACTS ARE RATED AT 16A 250VAC. 16A 24VDC.

DEGREE OF PROTECTION P8 IP54 PP8 IP65



P7-STANDARD FOOT PEDAL
PP7-STANDARD FOOT PEDAL
P8-STANDARD FOOT PEDAL C/W SHROUD
PP8-STANDARD FOOT PEDAL C/W SHROUD
CONTACT ARRANGEMENT
A-Z-FROM SHEET 20.2.1
O-SPECIAL CONTACT ARRANGEMENT
X-IF NOT REQUIRED
z-SPRING RETURN
r-BRAKE
P-POTENTIOMETER SEE SECT. 6
p-POTENTIOMETER MTG. ONLY
X-IF NOT REQUIRED

P10-STANDARD FOOT PEDAL
P11-CENTER POS. 1-0-1
P12-STANDARD FOOT PEDAL
CONTACT ARRANGEMENT
A-Z-FROM SHEET 20.2.1
O-SPECIAL CONTACT ARRANGEMENT
X-IF NOT REQUIRED
z-SPRING RETURN
r-BRAKE
P-POTENTIOMETER SEE SECT. 6
p-POTENTIOMETER MTG. ONLY
X-IF NOT REQUIRED
G-ENCLOSURE
X-IF NOT REQUIRED



GESSMANN FOOT PEDAL		JOB #
DATE:	FROM:	
NAME:		